



Application notes:

101
102
103E
007

- Polarized, nonlatching hermetically sealed relay

• Contact arrangement	1 PST/NO (DM) / 75 AMP
• Coil supply	Direct current
• Designed to the standards and requirements of:	MIL-PRF-6106
• Available in SPACE and Hi-REL quality	

PRINCIPAL TECHNICAL CHARACTERISTICS

• Contacts rated at	75Amps / 28 Vdc
• Weight	0.200 lbs. max
• Dimensions of case	1.120 in x 1.025 in x 1.025 in max
• Balanced-force design, all welded construction	
• Hermetically sealed, corrosion protected metal can	
• No make before break	
• Specific models available upon request	

CONTACT ELECTRICAL CHARACTERISTICS / CONTACT RATING

Minimum operating cycles	Type of load	28 Vdc
20,000 cycles	Resistive load	75A
10 000 cycles	Inductive load	20A
20,000 cycles	Motor load	20A
10,000 cycles	Lamp load	10A
50 cycles	Resistive overload	200A

COIL CHARACTERISTICS (Vdc)

CODE	A	B	C	M	N	R	V
Nominal operating voltage	28	12	6	48	28	12	6
Maximum operating voltage at +125°C	29	14.5	7.3	50	29	14.5	7.3
Maximum pickup voltage							
- Cold coil at +125° C	20	9	4.5	36	25	9	4.5
- During high temp test at +125° C	22.5	9.9	5	38	22.5	9.9	5
- During continuous current test at +125° C	25	11.25	5.7	42	25	11.25	5.7
- Drop-out voltage (Maximum)	7	4.5	2.5	14	7	4.5	2.5
Coil resistance $\Omega \pm 10\%$ +25° C except types "C" and "V" +20%, -10%	290	70	18	890	290	70	18

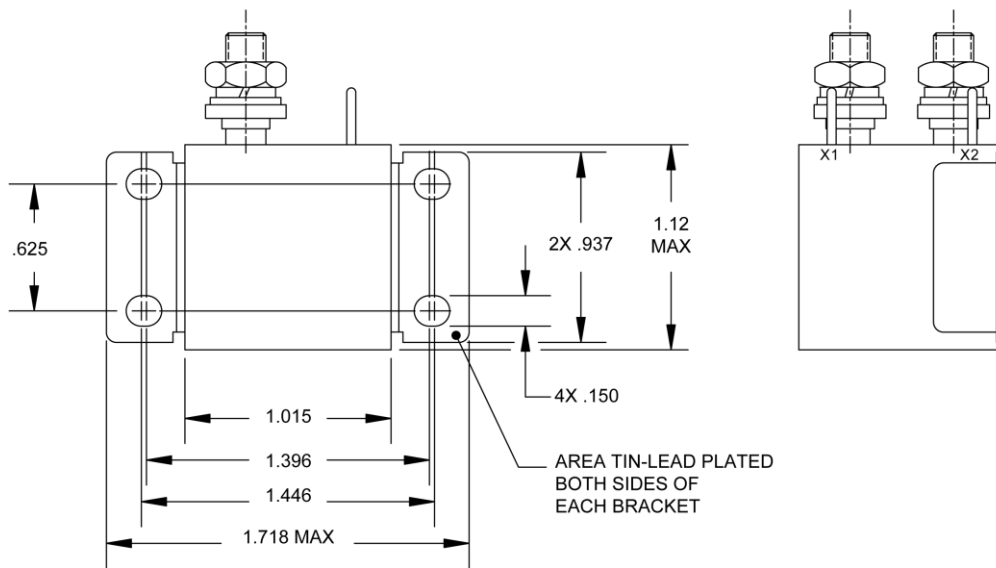
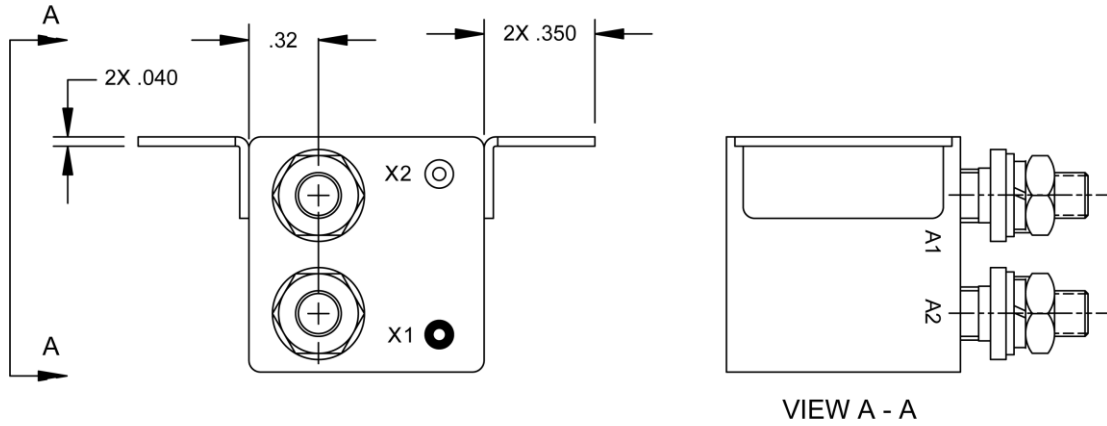
GENERAL CHARACTERISTICS

Temperature range	-70°C à +125°C
Dielectric strength at sea level all points	
- All circuits to ground and circuit to circuit	1250 Vrms / 50 Hz
- Coil to ground	1000 Vrms / 50 Hz
Dielectric strength at altitude 25.000 m (all points)	500 Vrms / 50Hz (500 Vrms gasket compressed)
Insulation resistance	
- Initial (500 Vdc)	100 M Ω min
- After environmental tests (500 Vdc)	50 M Ω min
Sinusoidal vibration (A and D mounting)	0.12" DA / 10 to 57 Hz 20G / 57 to 2000 Hz
Random vibration according to MIL-STD 202 methode 214	1E (0.2G2/Hz, 50 to 2000 Hz)
Mechanical shock (A et D mounting)	50G / 11 ms
Maximum contact opening time under vibration and shock	10 μ sec
Operate time at nominal voltage	15 ms max
Release time at nominal voltage	15ms max
Contact make bounce at nominal voltage	1ms max
Contact release break bounce	0.5 ms max

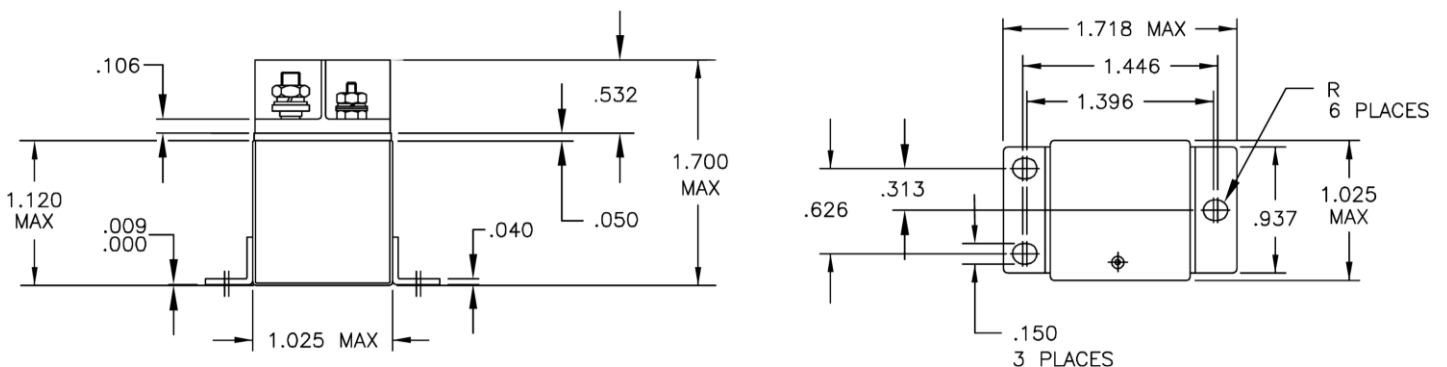
MOUNTING STYLES

Dimensions in inches
Tolerances, unless otherwise specified, ± 0.1 inch

MOUNTING STYLE X

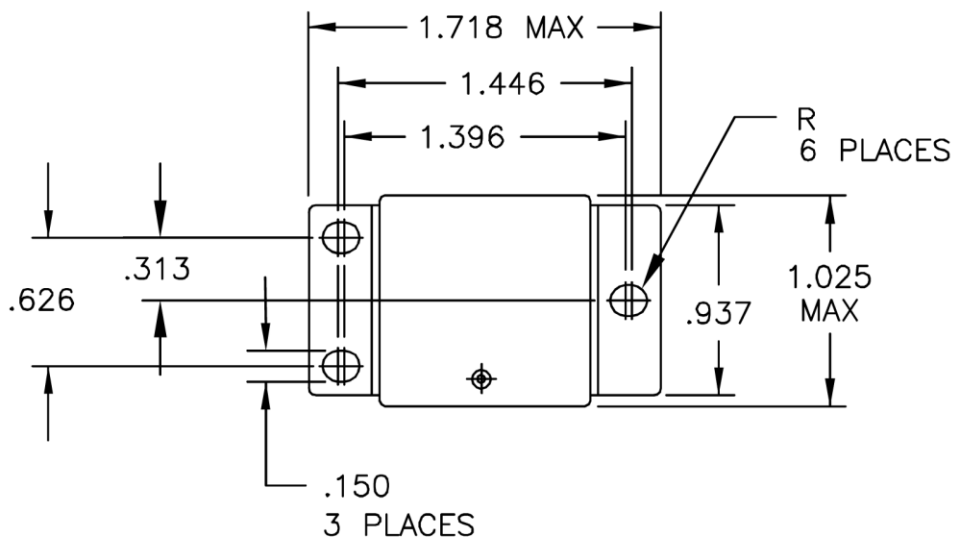
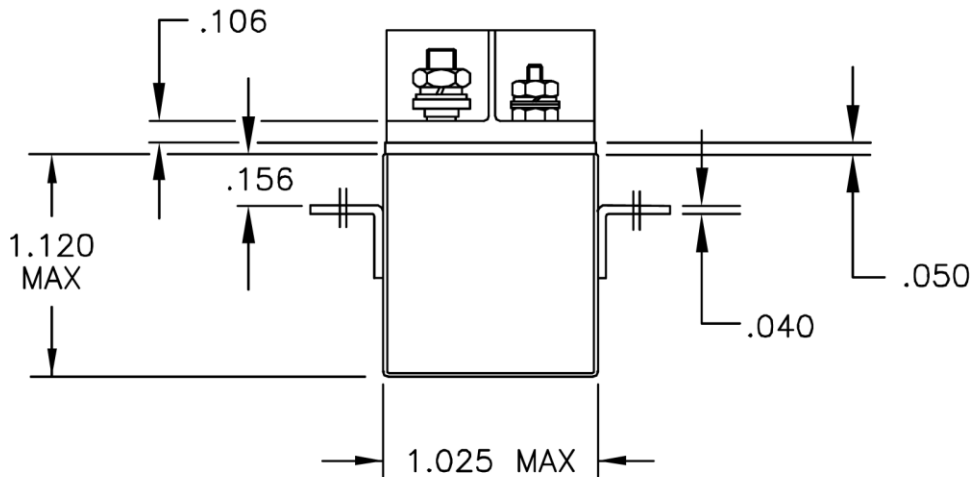


MOUNTING STYLE U



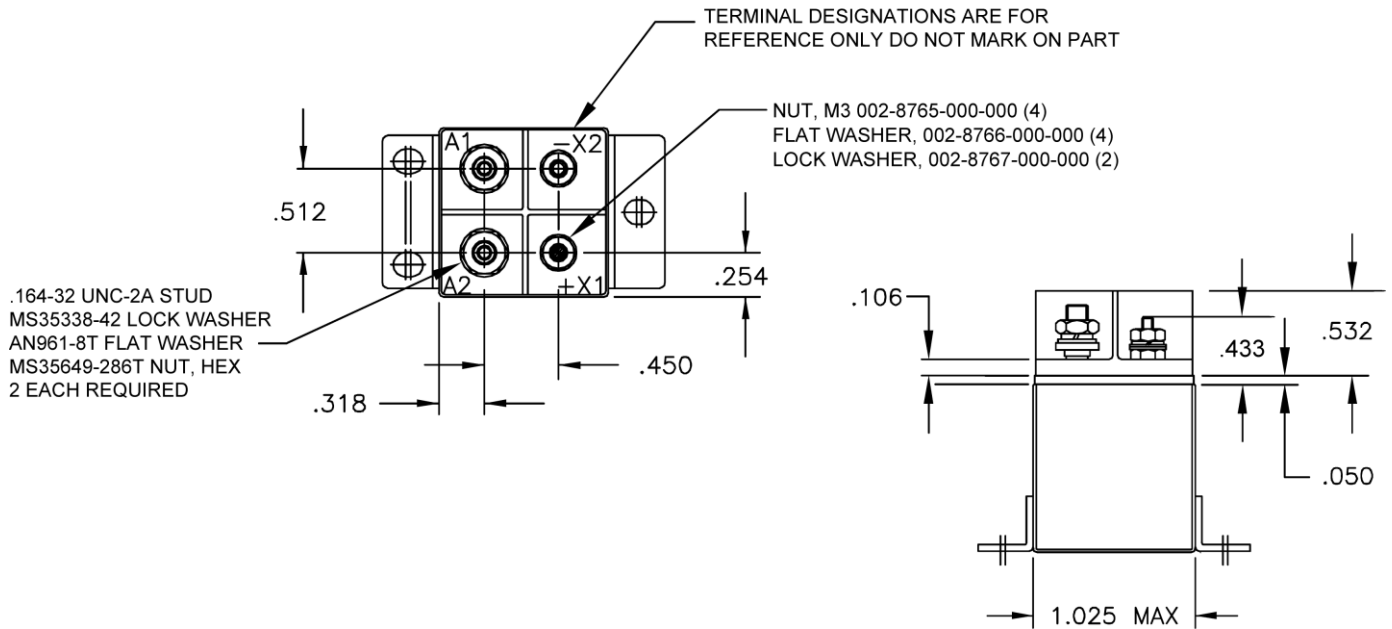
MOUNTING STYLES

MOUNTING STYLE D

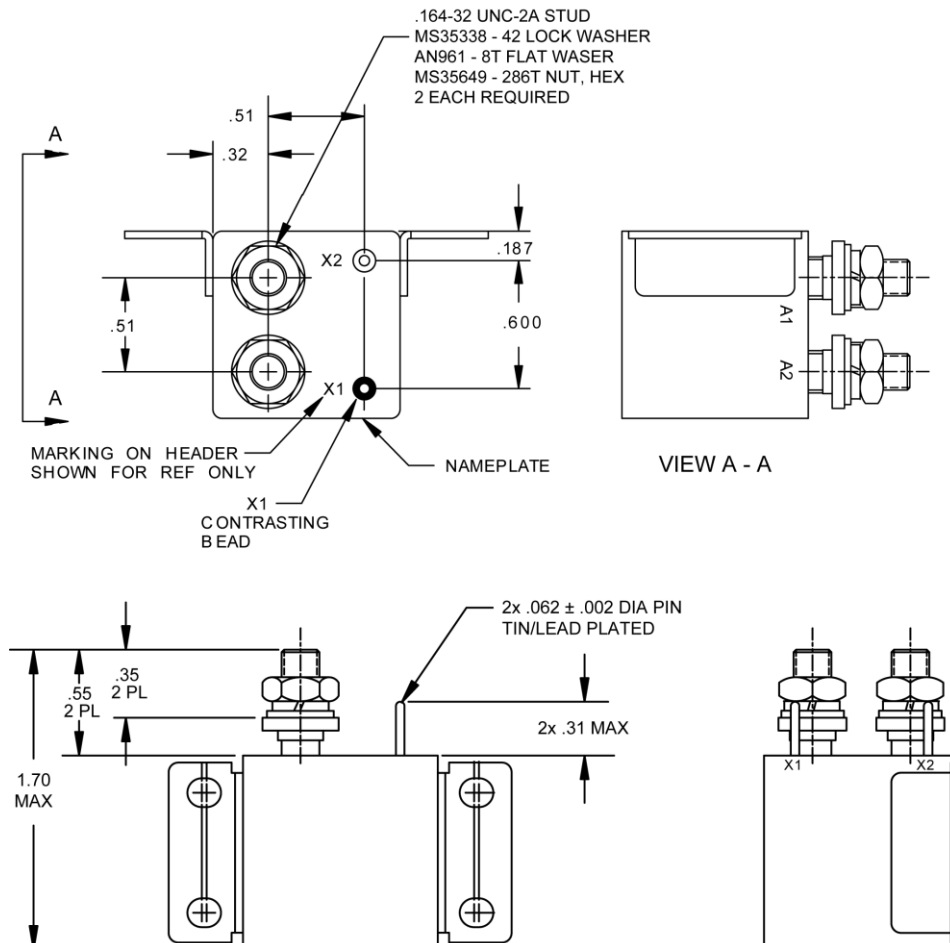


TERMINAL TYPES

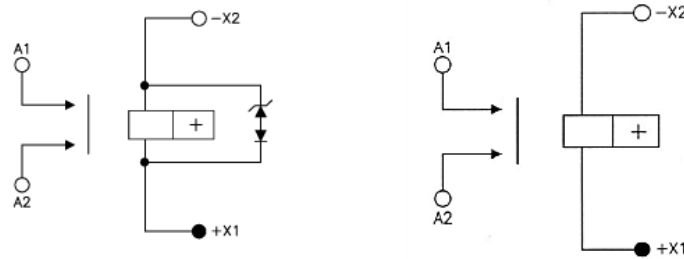
TERMINAL TYPE 5



TERMINAL TYPE 9



SCHEMATIC DIAGRAM

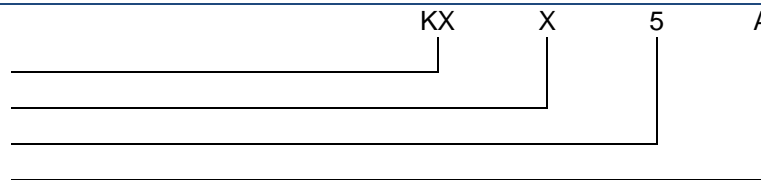


CIRCUIT DIAGRAM

NUMBERING SYSTEM

Basic series designation

1. Mounting styles X, U, D
2. Terminal types 9, 5
3. Coil voltage A, B, C, M, N, R, V



Example : KX-X5A

NOTES

1. For other mounting styles or terminal types, please contact the factory
2. Coil time constant L/R : 11ms
3. Relay will not be damaged by applying reverse voltage to the coil although the relay may transfer.
4. For full rated load, max temp and altitude use no. 6 AWG wire or larger
5. "N" R & V coils have back EMF suppression to - 42 volts maximum.